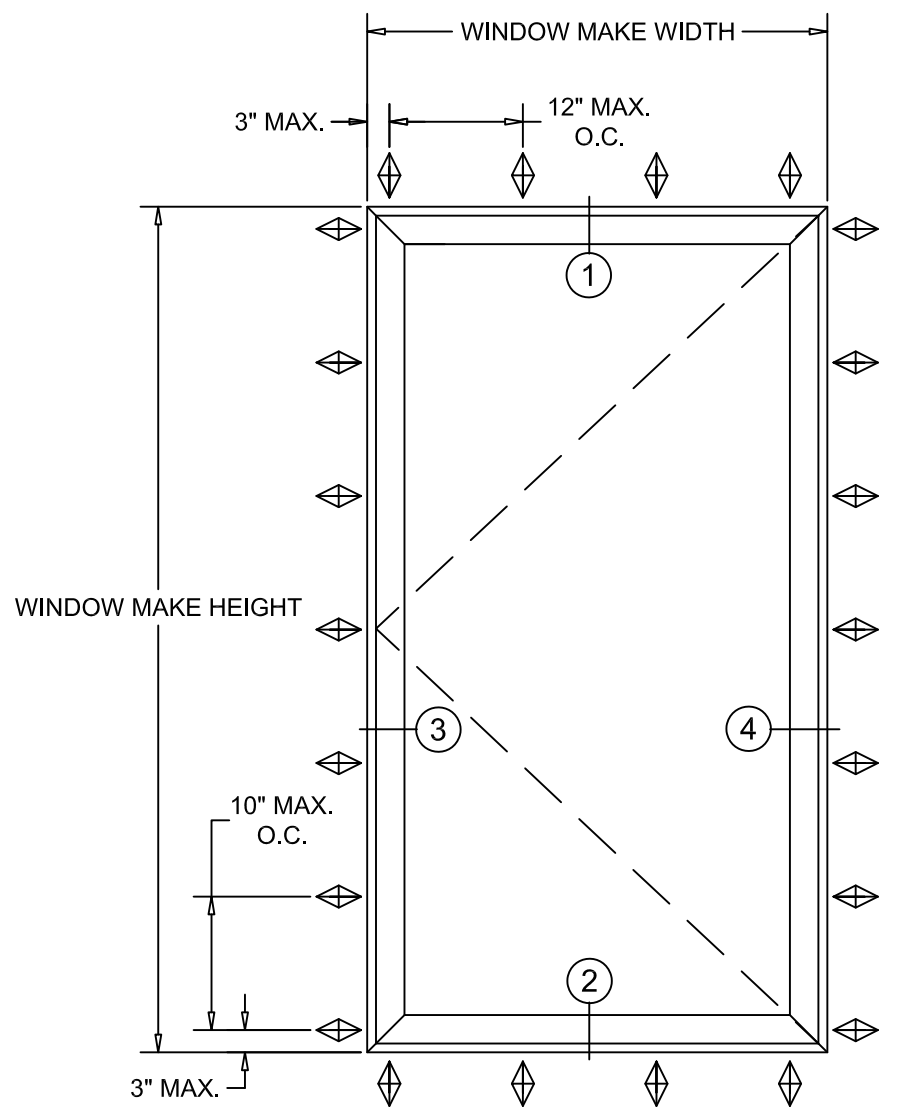


NOTE: TYPICAL C600/C605 ONE TONE - CASEMENT WINDOW - NAIL FIN INSTALLATION



Maximum				
FW	FH	DLO-W	DLO-H	Pressure
48"	84"	42 1/4"	78 1/4"	± 70 PSF

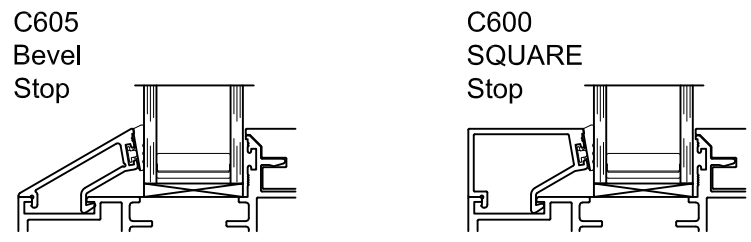
Mark A

1" Insulating Glass
Two lights 1/4" Annealed Glass
with 1/2" Spacer

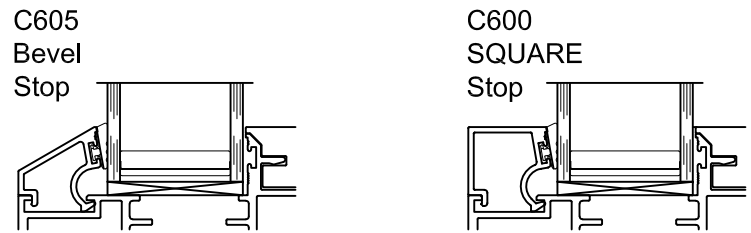
1 3/8" Insulating Glass
Two lights 1/4" Annealed Glass
with 7/8" Spacer

Notes:

1. Installations depicted satisfy the requirements of the 8th Edition (2023) of the Florida Building Code for Wind Pressures and Overall Sizes shown.
2. As Tested Anchor spacings are shown on the Elevations.
3. Wood Framing are assumed to Southern Pine (G=0.55) or denser.
4. Metal stud frames are assumed to be a minimum 16 gauge 33 KSI Steel.
5. Concrete masonry (CMU) shall conform to ASTM C90.
6. Concrete shall be minimum $f_c = 3,000$ psi.
7. Wood Screws shall meet requirements of ANSI/ASME B18.6.1.
8. TEKS screws shall be ASTM A510 Grade 1018 or equivalent.
9. Hilti Kwik-Con + anchors as specified in NOA 21-0628.20
10. Maximum Frame Shim Space is $1/4"$ as shown. Shims shall be non-compressible load bearing type.
11. Exterior and Interior shall be sealed according to Shop Drawings.
12. Products shown are NOT Impact Resistant and require an approved protection device if used in windborne debris regions.
13. Not for use in High Velocity Hurricane Zone (HVHZ).
14. Sealing and flashing strategies and overall water infiltration performance of the installed product are by others and not addressed by this document.



Standard 1" I.G.



Optional 1 3/8" I.G.

Tanya A. Dolby, P.E.
FL P.E. No. 93536
Intertek – ATI
130 Derry Ct. York, PA 17406
(717) 764-7700
Project: Q5070.01

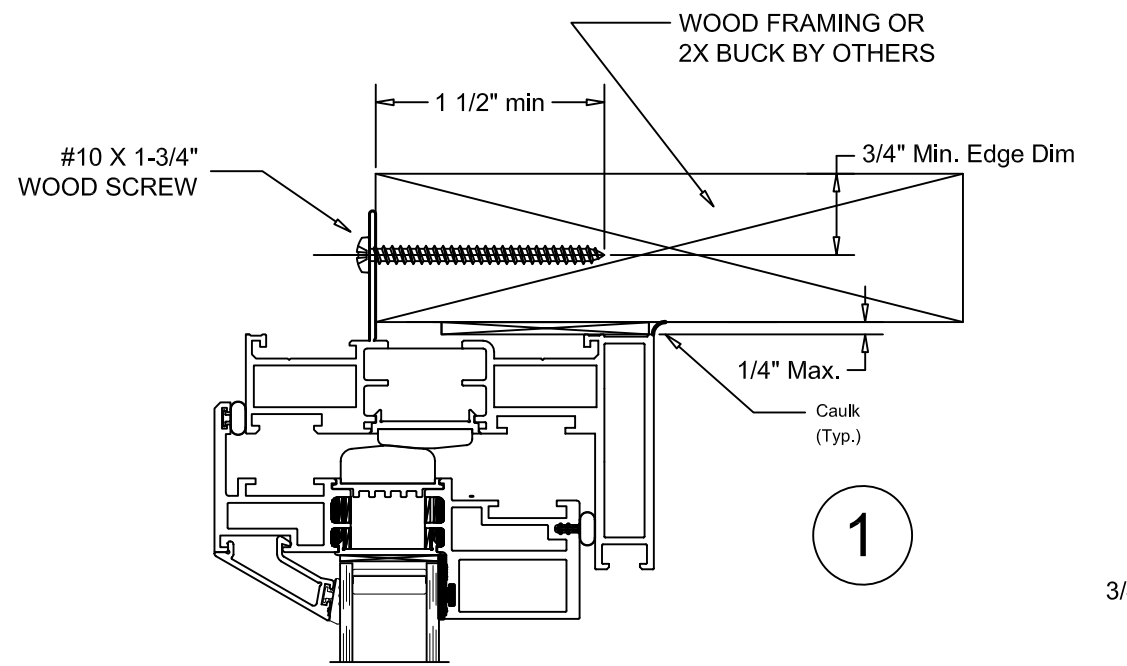
Project Name: C600/C605 Casement One Tone Installation Instructions

GENERAL NOTES

QUAKER WINDOW PRODUCTS WILL NOT BE RESPONSIBLE FOR FIELD MEASUREMENT, QUANTITIES, & INSTALLATION DESIGN. CONTRACTOR MUST VERIFY ALL DIMENSIONS.

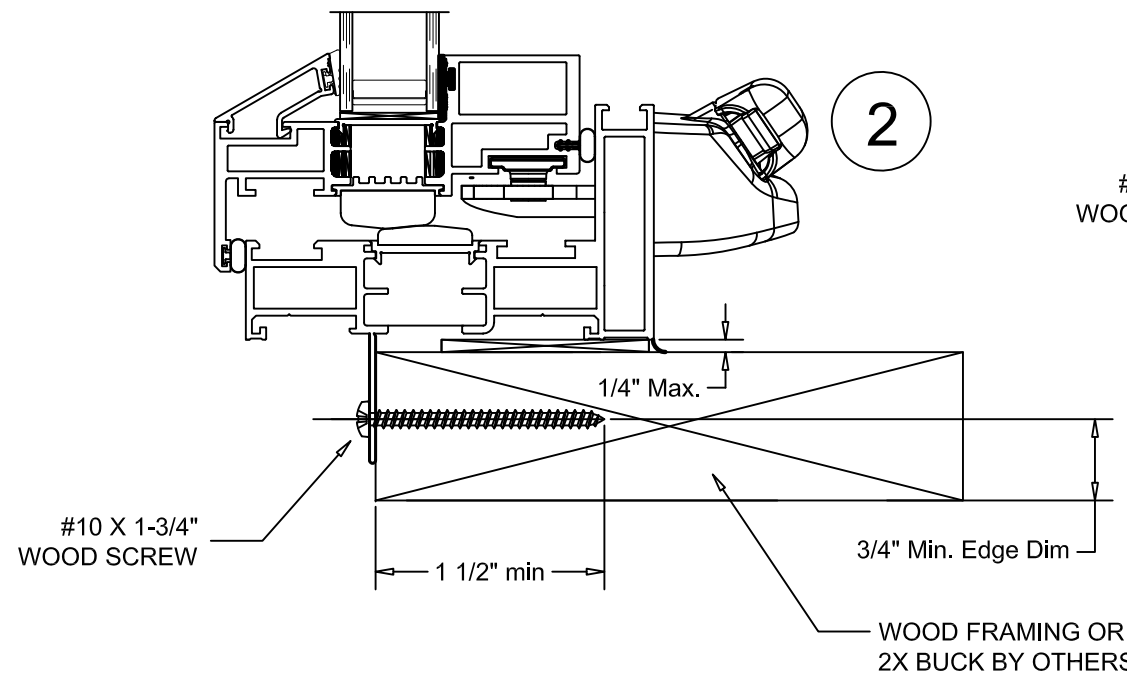
PHONE (573)-744-5211
FAX (573)-744-5586
COMMERCIAL
FAX (573)-744-5822
www.quakerwindows.com
Scale: NONE
Sheet #: 1 of 4
504 Highway 63 South
Freeburg, MO 65035
drafting@quakerwindows.com
Drawn By: Bud
Date: 08-22-2023

NOTE: TYPICAL C600/C605 ONE TONE - CASEMENT WINDOW - NAIL FIN INSTALLATION



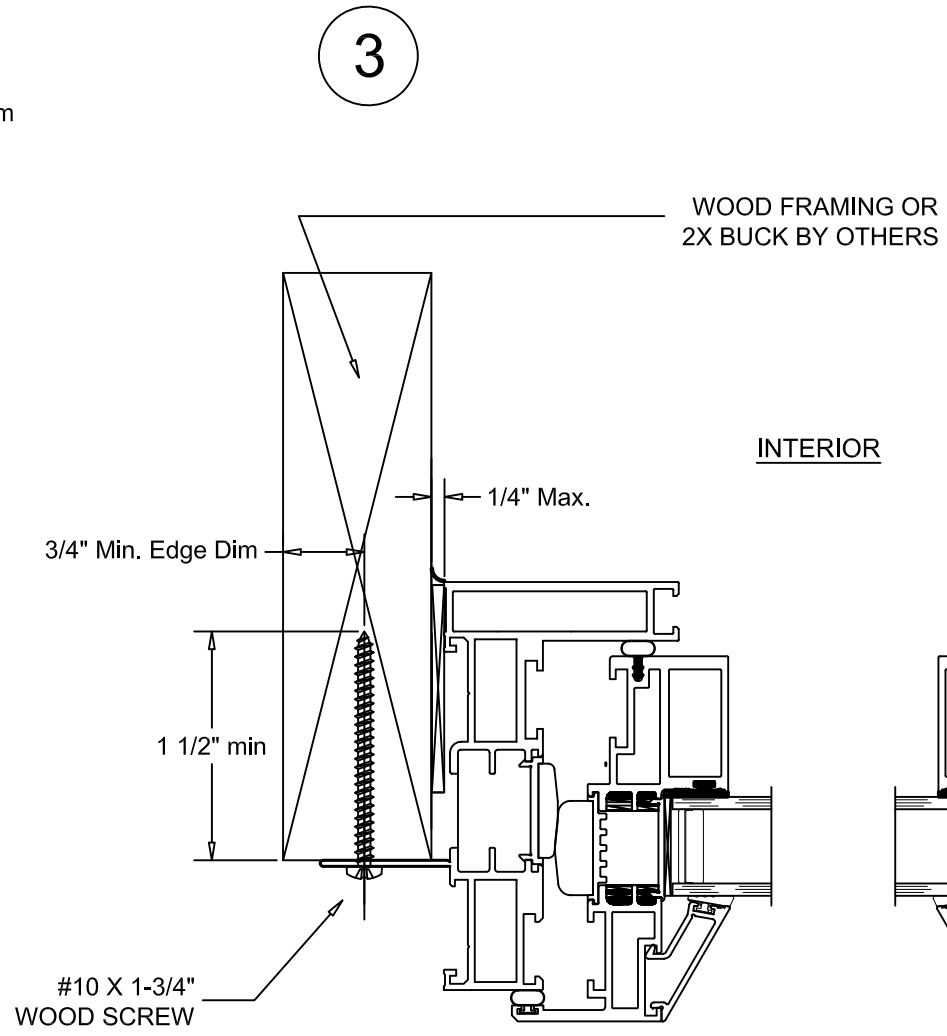
EXTERIOR

INTERIOR



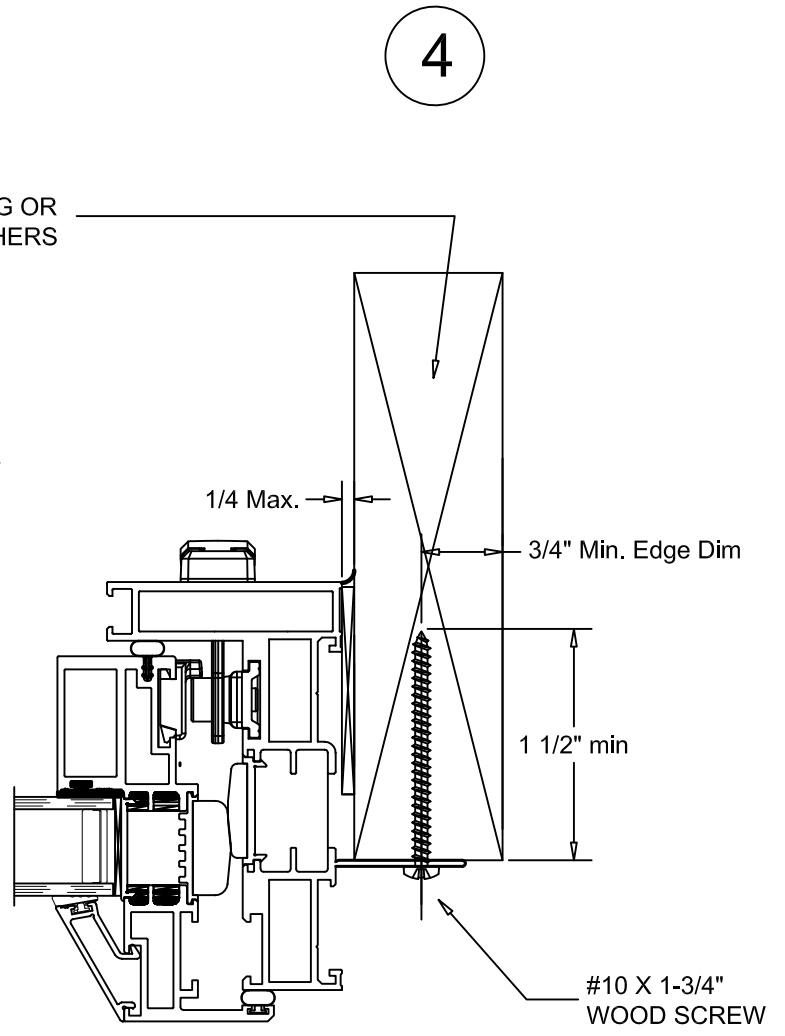
VERTICAL SECTION DETAIL

WOOD FRAMING INSTALLATION



INTERIOR

EXTERIOR



HORIZONTAL SECTION DETAIL

WOOD FRAMING INSTALLATION

Project Name: C600/C605 Casement One Tone Installation Instructions

GENERAL NOTES

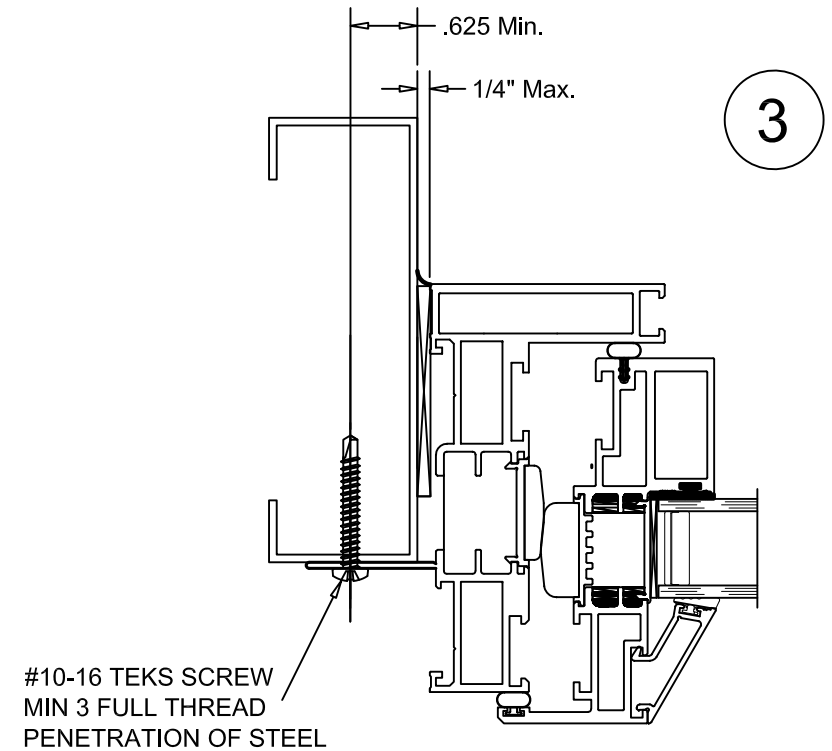
QUAKER WINDOW PRODUCTS WILL NOT BE RESPONSIBLE FOR FIELD MEASUREMENT, QUANTITIES, & INSTALLATION DESIGN. CONTRACTOR MUST VERIFY ALL DIMENSIONS.

PHONE (573)-744-5211 FAX (573)-744-5586 COMMERCIAL FAX (573)-744-5822 www.quakerwindows.com	Scale: NONE	Sheet #: 2 of 4
504 Highway 63 South Freeburg, MO 65035 drafting@quakerwindows.com	Drawn By: Bud	Date: 08-22-2023

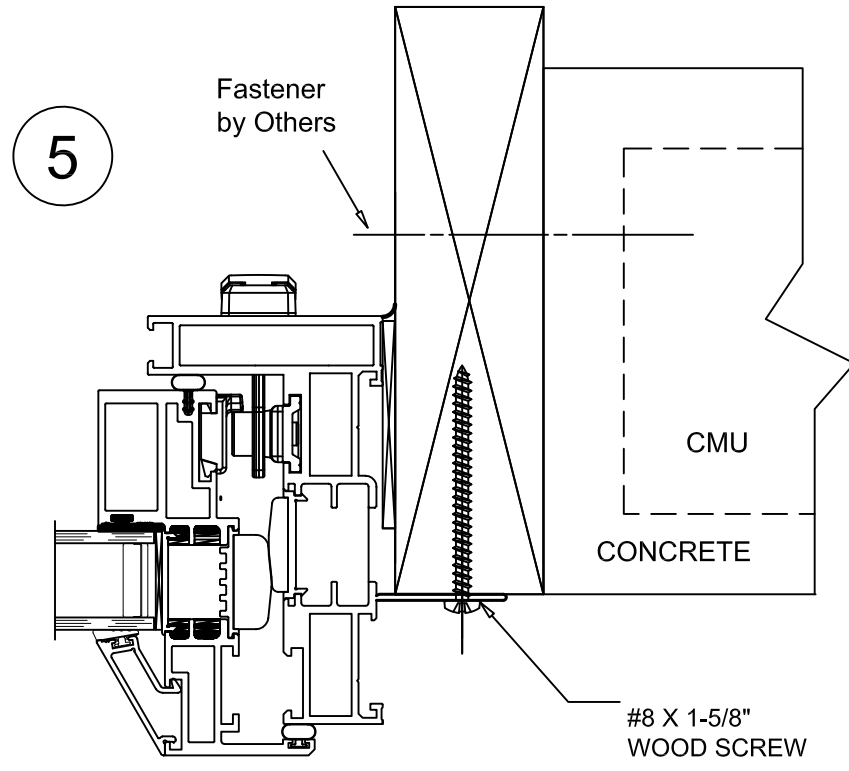
Tanya A. Dolby, P.E.
FL P.E. No. 93536
Intertek - ATI
130 Derry Ct. York, PA 17406
(717) 764-7700
Project: Q5070.01

NOTE: TYPICAL C600/C605 ONE TONE - CASEMENT WINDOW - NAIL FIN INSTALLATION

INTERIOR



EXTERIOR



See Detail 4 on sheet 2 for wood anchorage

Project Name: **C600/C605 Casement One Tone**
Installation Instructions

GENERAL NOTES

QUAKER WINDOW PRODUCTS WILL NOT BE RESPONSIBLE FOR FIELD MEASUREMENT, QUANTITIES, & INSTALLATION DESIGN. CONTRACTOR MUST VERIFY ALL DIMENSIONS.

PHONE (573)-744-5211
FAX (573)-744-5586
COMMERCIAL
FAX (573)-744-5822
www.quakerwindows.com

Scale: NONE
Sheet #: 3 of 4

QUAKER
COMMERCIAL WINDOW AND DOOR

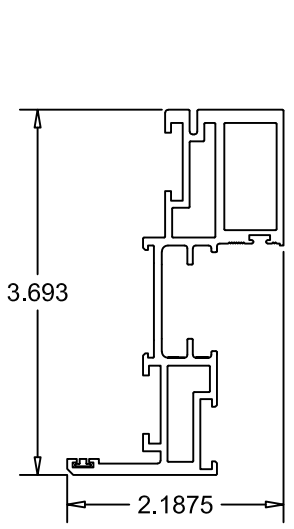
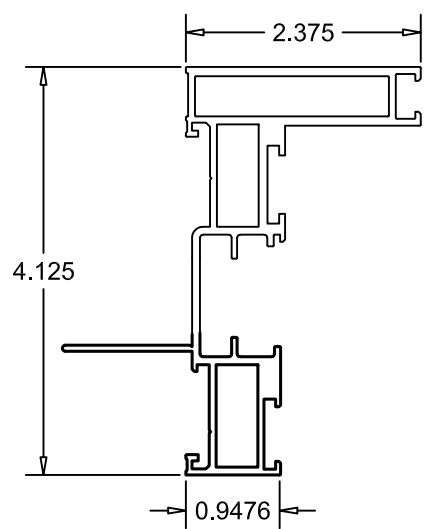
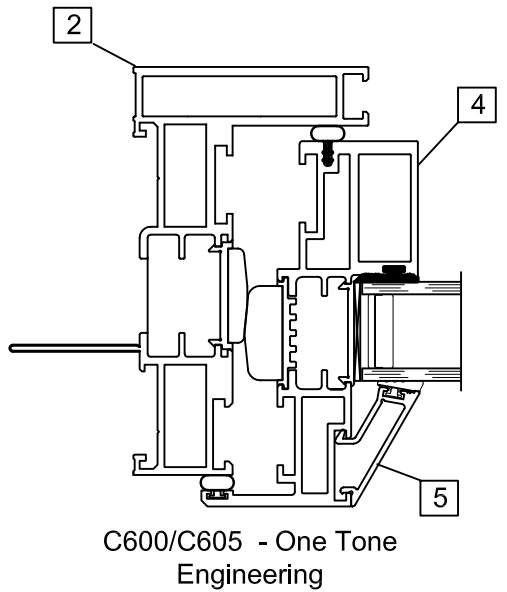
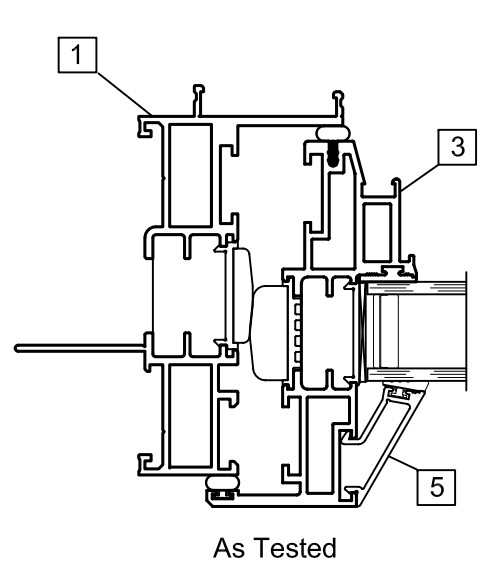
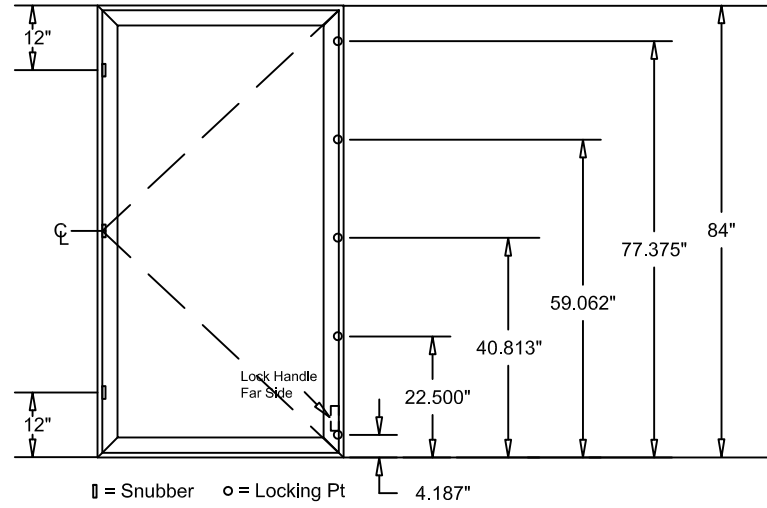
504 Highway 63 South
Freeburg, MO 65035
drafting@quakerwindows.com

Drawn By: Bud
Date: 08-22-2023

Tanya A. Dolby, P.E.
FL P.E. No. 93536
Intertek – ATI
130 Derry Ct. York, PA 17406
(717) 764-7700
Project: Q5070.01

NOTE: TYPICAL C600/C605 ONE TONE - CASEMENT WINDOW - NAIL FIN INSTALLATION

Bill of Materials				
NO.	Description	Part Number	Material	Manufacturer
1	Frame w/ Nail Fin - 1T	23277	Aluminum 6063-T6	Tower Extrusions
2	Frame w/ Nail Fin - 1T	23277	Aluminum 6063-T6	Tower Extrusions
3	Sash - 1T	23689	Aluminum 6063-T6	Tower Extrusions
4	Sash - 1T	23689	Aluminum 6063-T6	Tower Extrusions
5	Beveled Glazing Bead	23982	Aluminum 6063-T6	Tower Extrusions
6	Square Glazing Bead	23114	Aluminum 6063-T6	Tower Extrusions
Hardware				
Part	Number	Qty	Manufacturer	
14" Roto Operator	55.00.XX.222	1	Truth	
Contour LP Euro Lock	24.45.XX.001	1	Truth	
CHIC LH Hinge	43540002	1	Giesse	
CHIC Snubber	4358800	3	Giesse	
OS Security Lock Point	2067000	5	Giesse	
Transmission Bar	03524N	2	Giesse	
Ramp Block	2352	1	Truth	



Project Name: **C600/C605 Casement One Tone**
Installation Instructions

GENERAL NOTES

QUAKER WINDOW PRODUCTS WILL NOT BE RESPONSIBLE FOR FIELD MEASUREMENT, QUANTITIES, & INSTALLATION DESIGN. CONTRACTOR MUST VERIFY ALL DIMENSIONS.

PHONE (573)-744-5211
 FAX (573)-744-5586
 COMMERCIAL
 FAX (573)-744-5822
 www.quakerwindows.com

Scale: NONE
 Sheet #: 4 of 4

504 Highway 63 South
 Freeburg, MO 65035
 drafting@quakerwindows.com

Tanya A. Dolby, P.E.
 FL P.E. No. 93536
 Intertek - ATI
 130 Derry Ct. York, PA 17406
 (717) 764-7700
 Project: Q5070.01



Drawn By: Bud
 Date: 08-22-2023